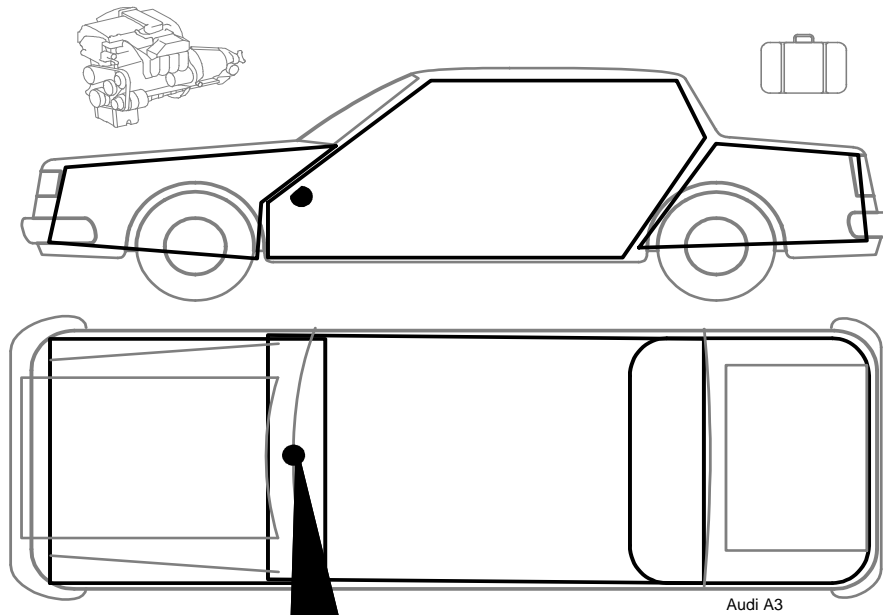
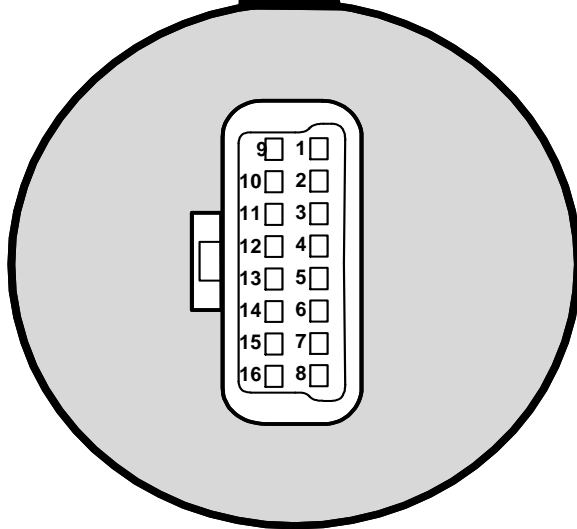


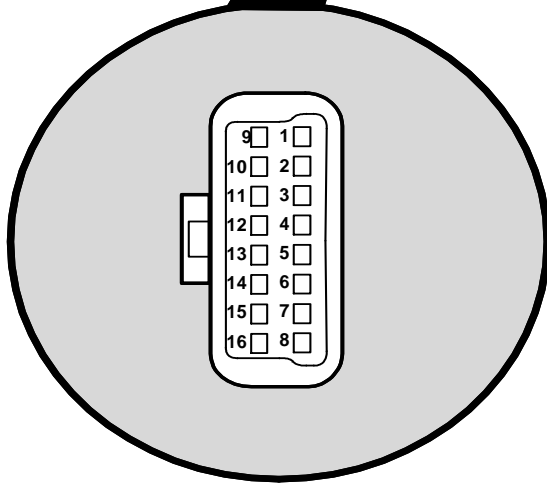
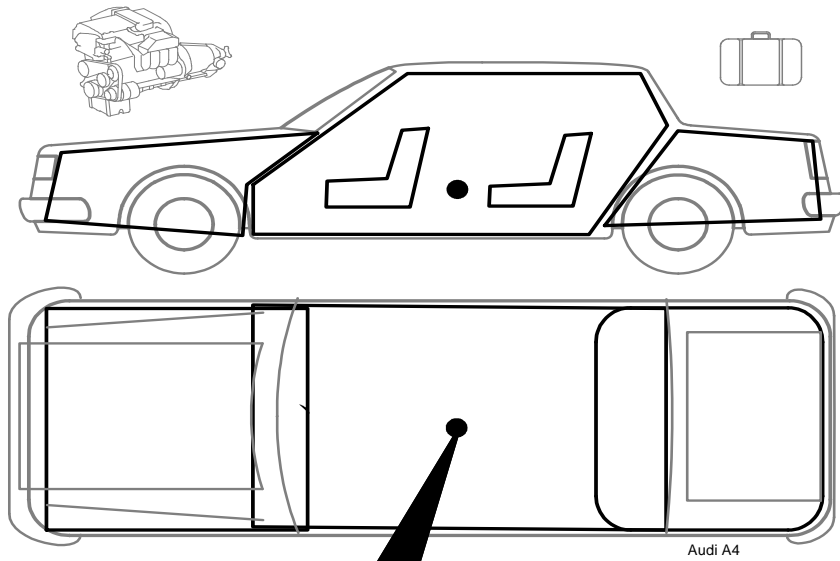
AUDI A3



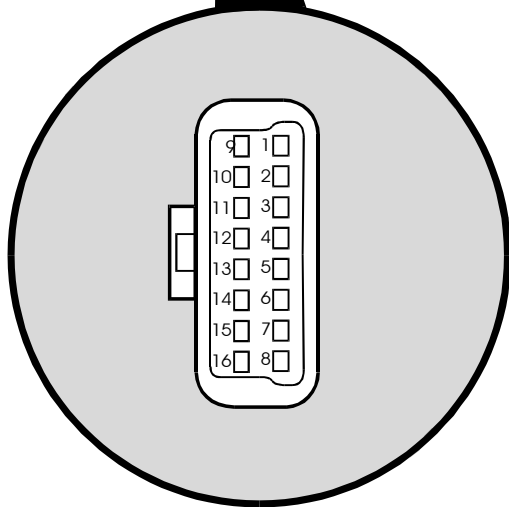
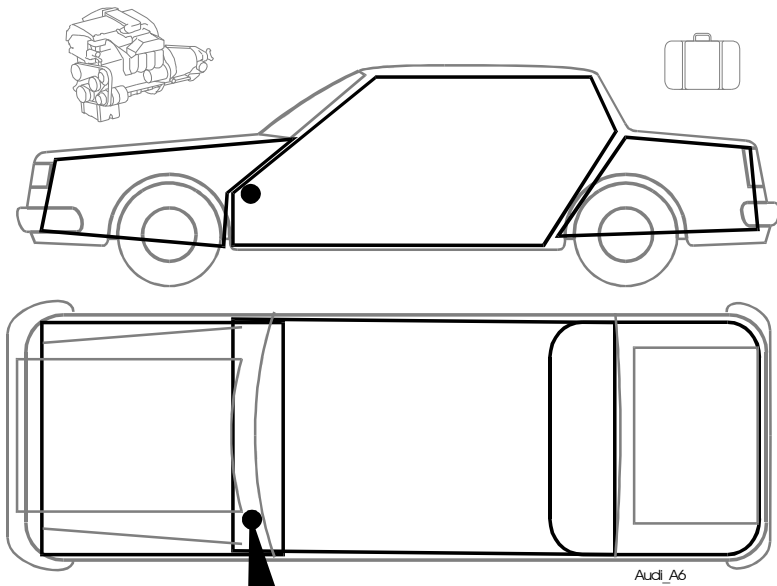
Audi A3



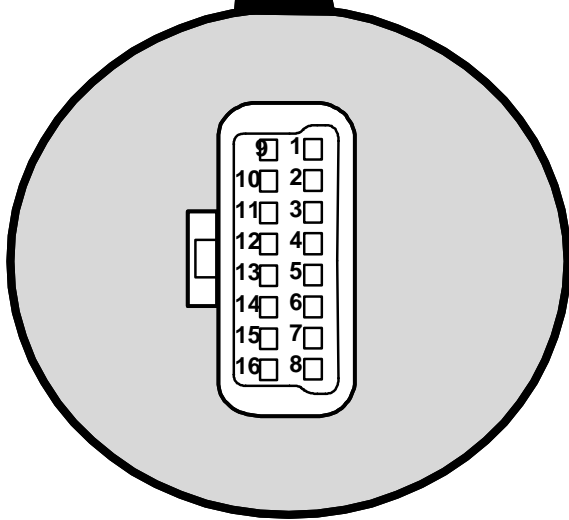
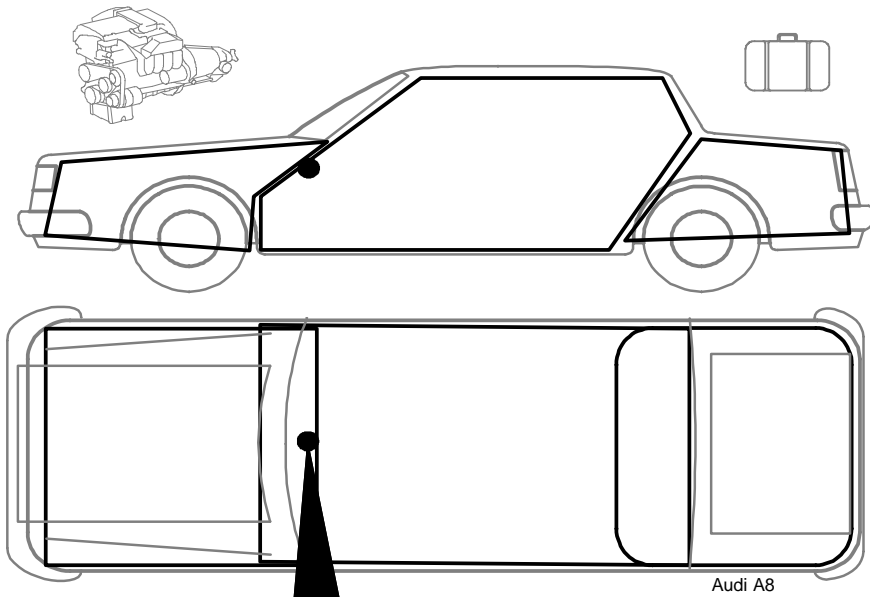
AUDI A4



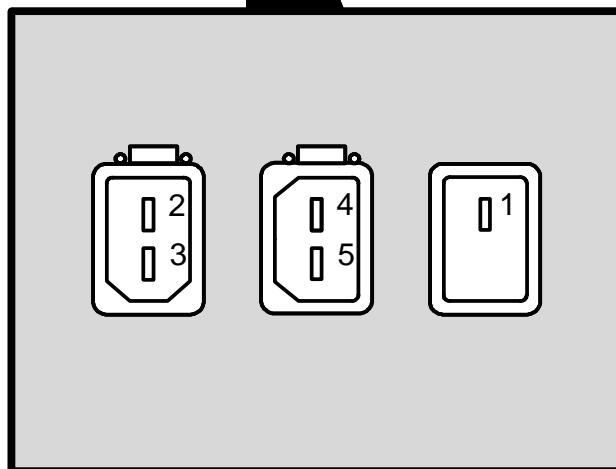
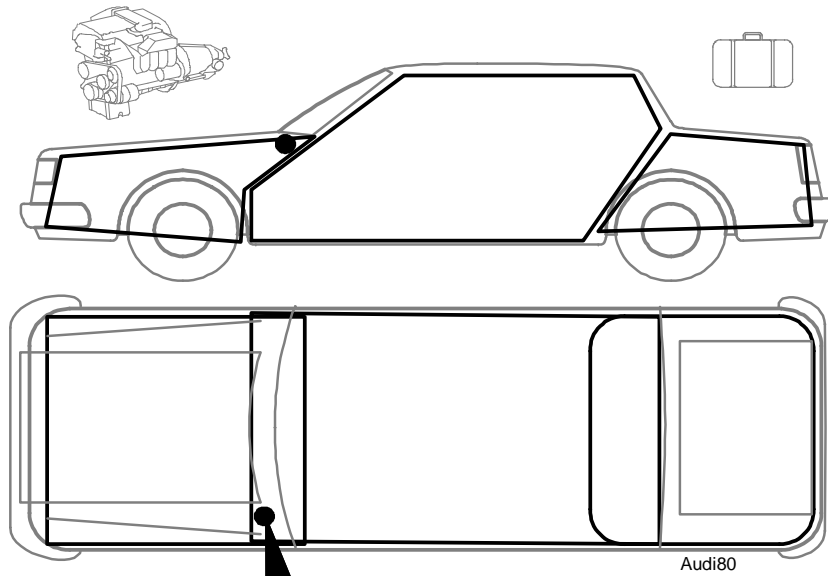
AUDI A6 98 |>



AUDI A8

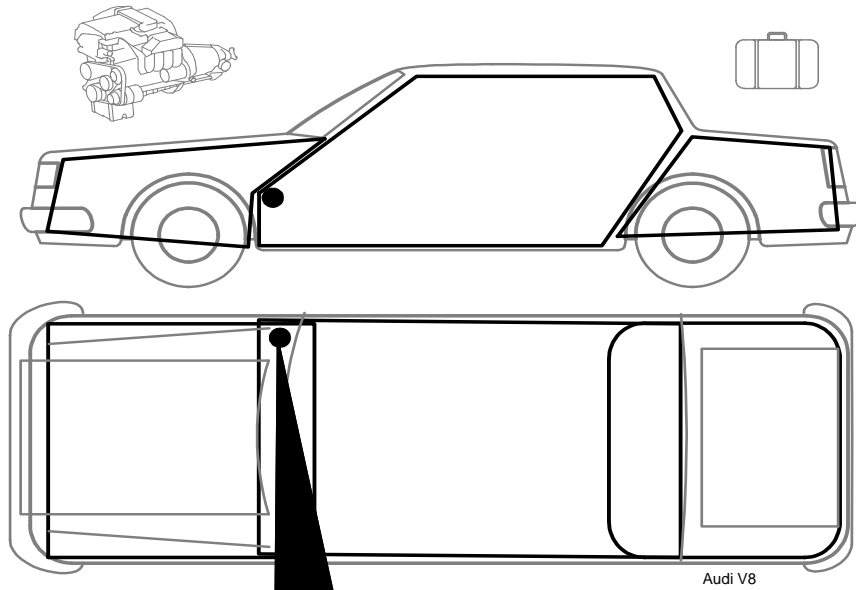


AUDI 80, 100, 200, A6 >|97

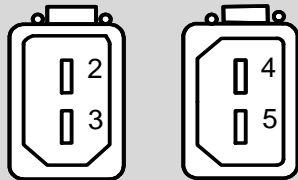


- 2 – GND
- 3 – 12V
- 4 – L-line
- 5 – K-line

AUDI V8

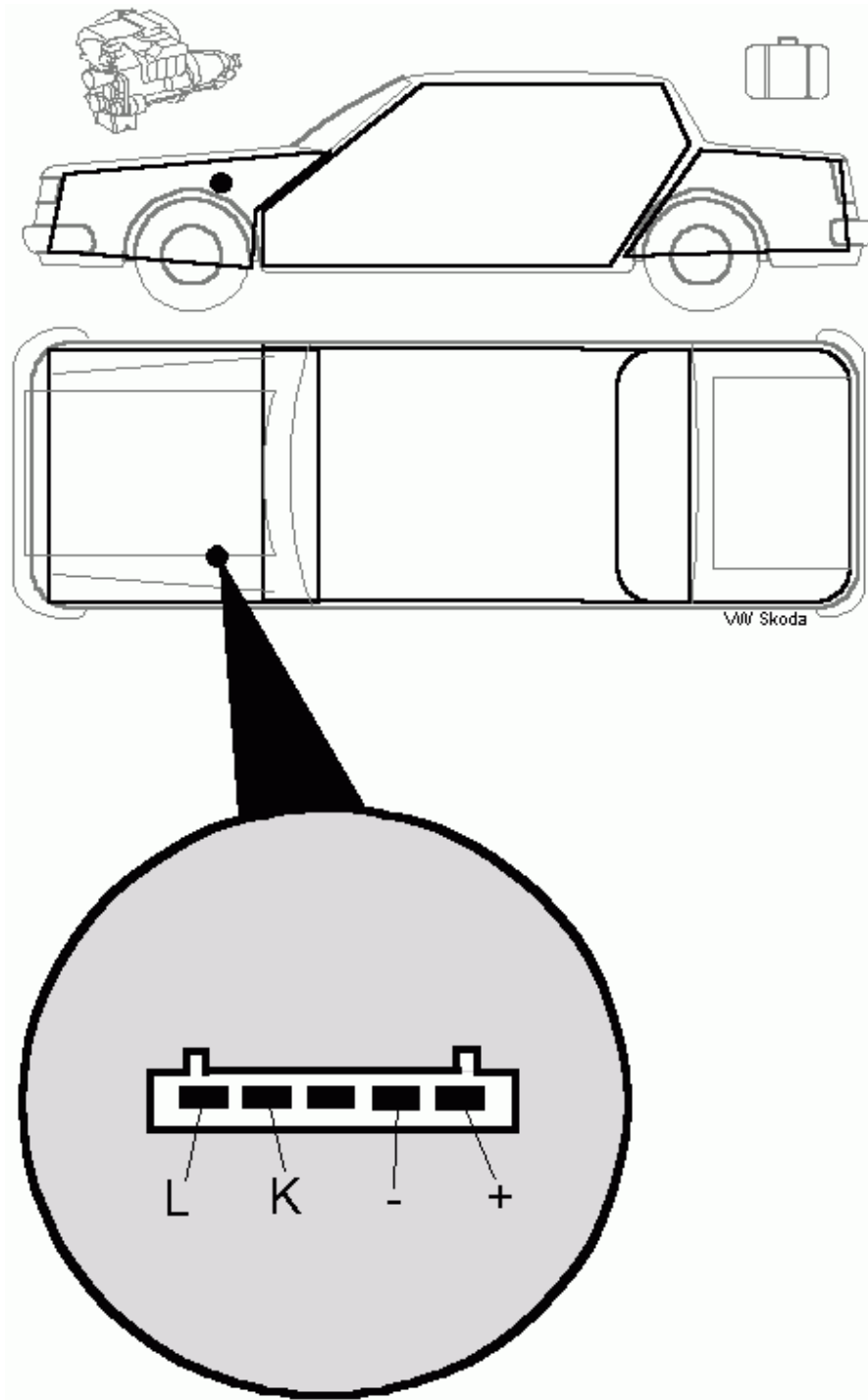


Audi V8

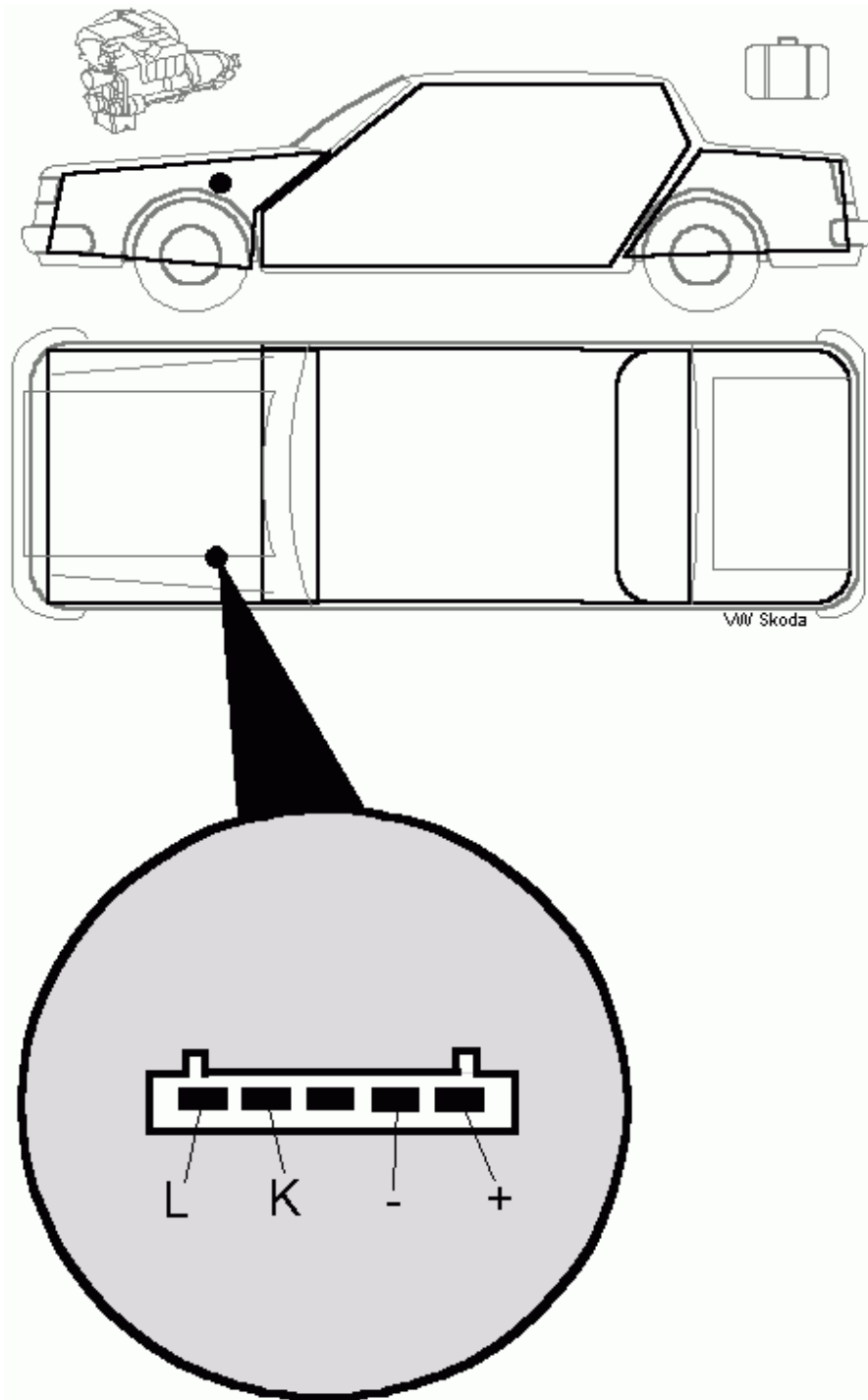


- 2 – GND
- 3 – 12V
- 4 – L-line
- 5 – K-line

Seat Ibiza 94|>

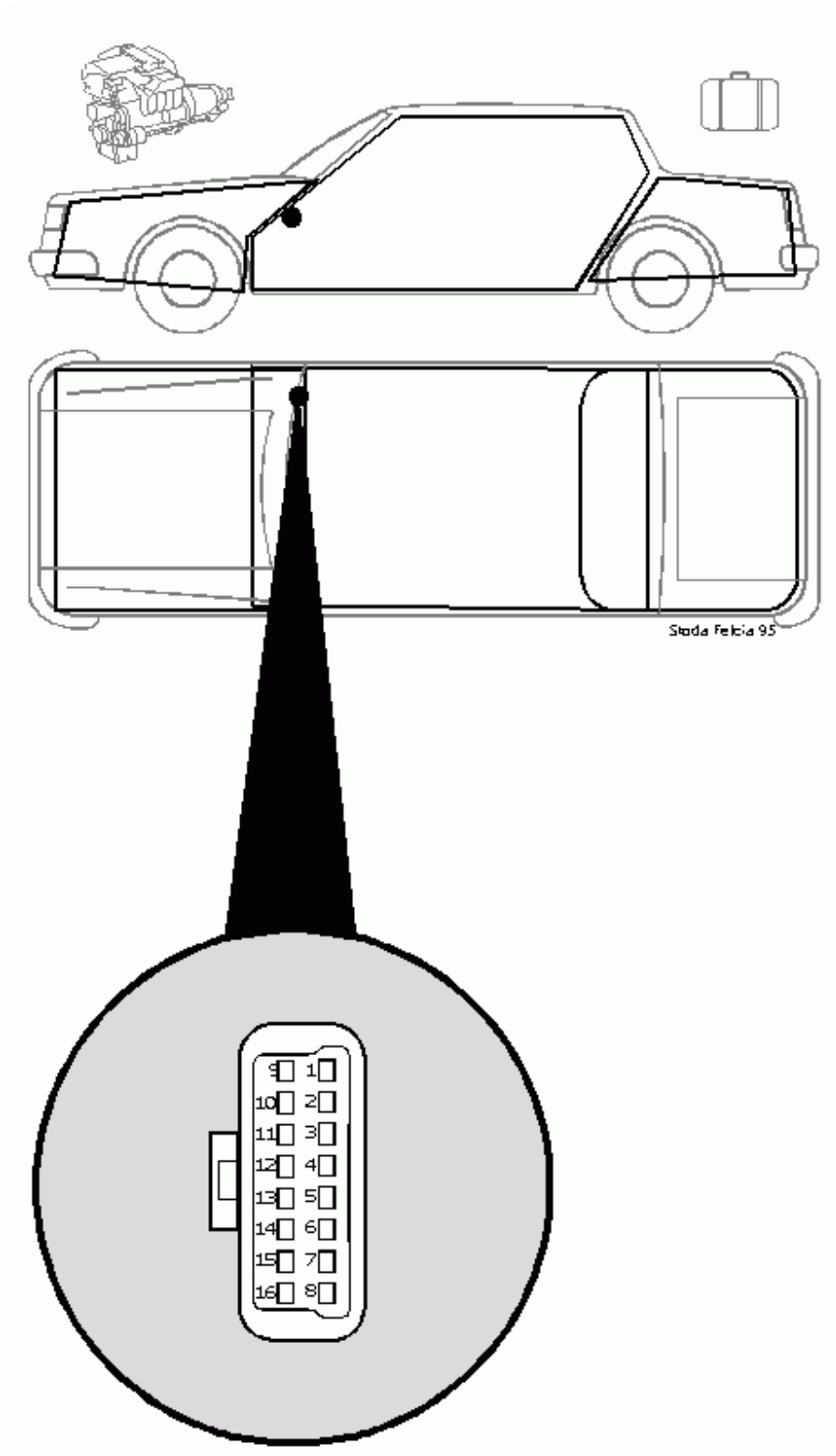


Skoda Favorit, Forman, Pickup, Felicia 12.94

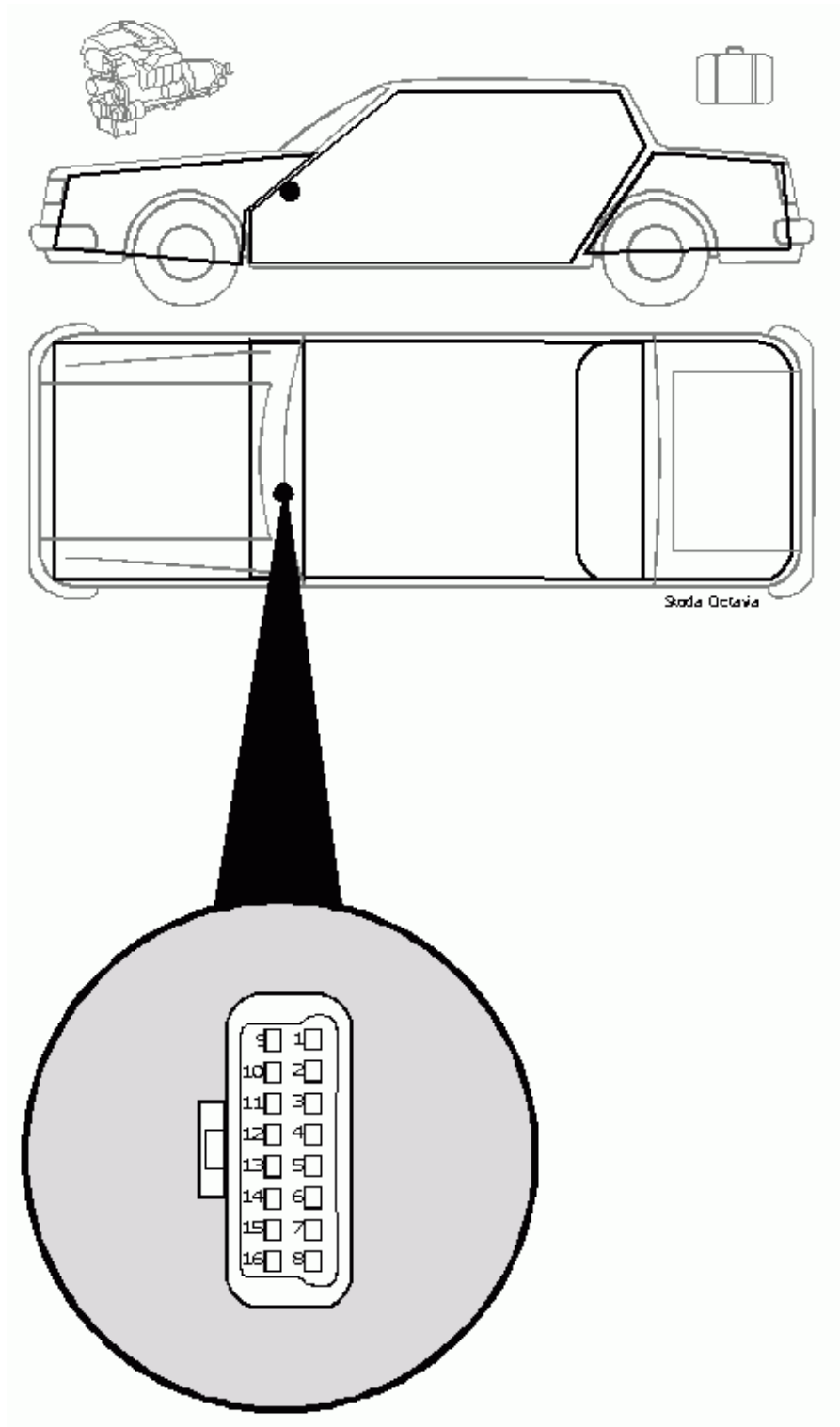


	K	L	-	+
Diagnose	K	L-	B-	B+

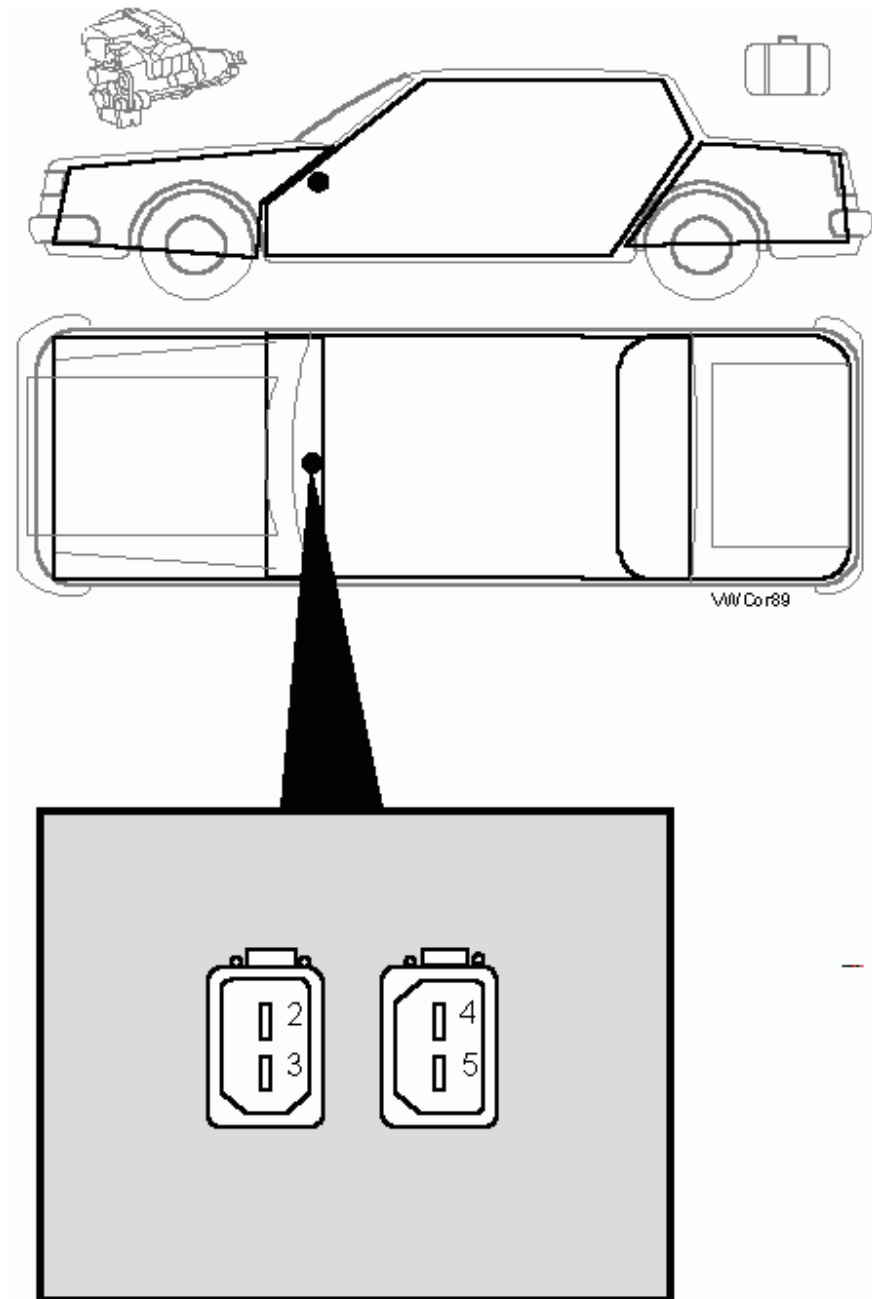
Skoda Felicia |> 1.95



Skoda Octavia

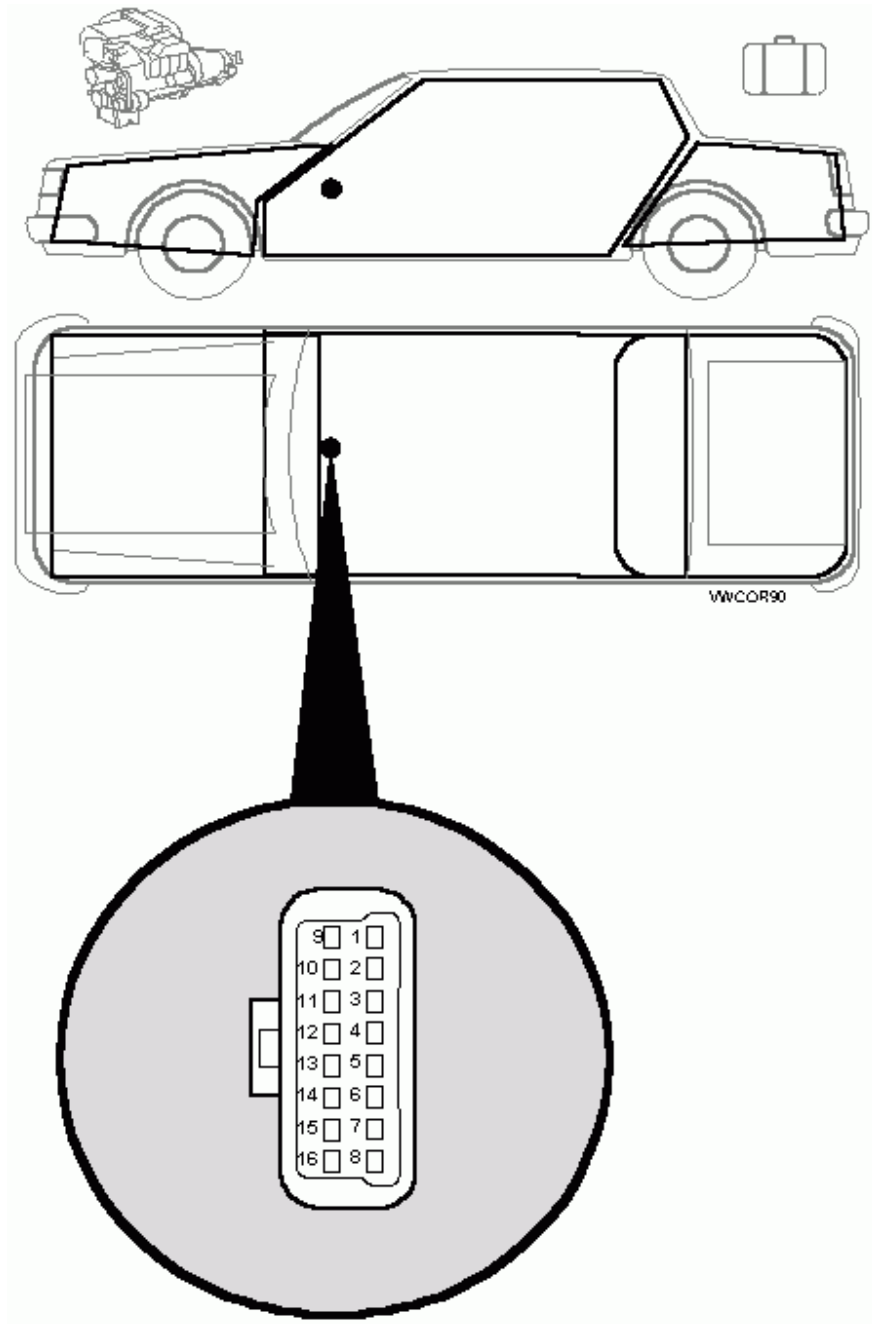


VW Corrado >|92

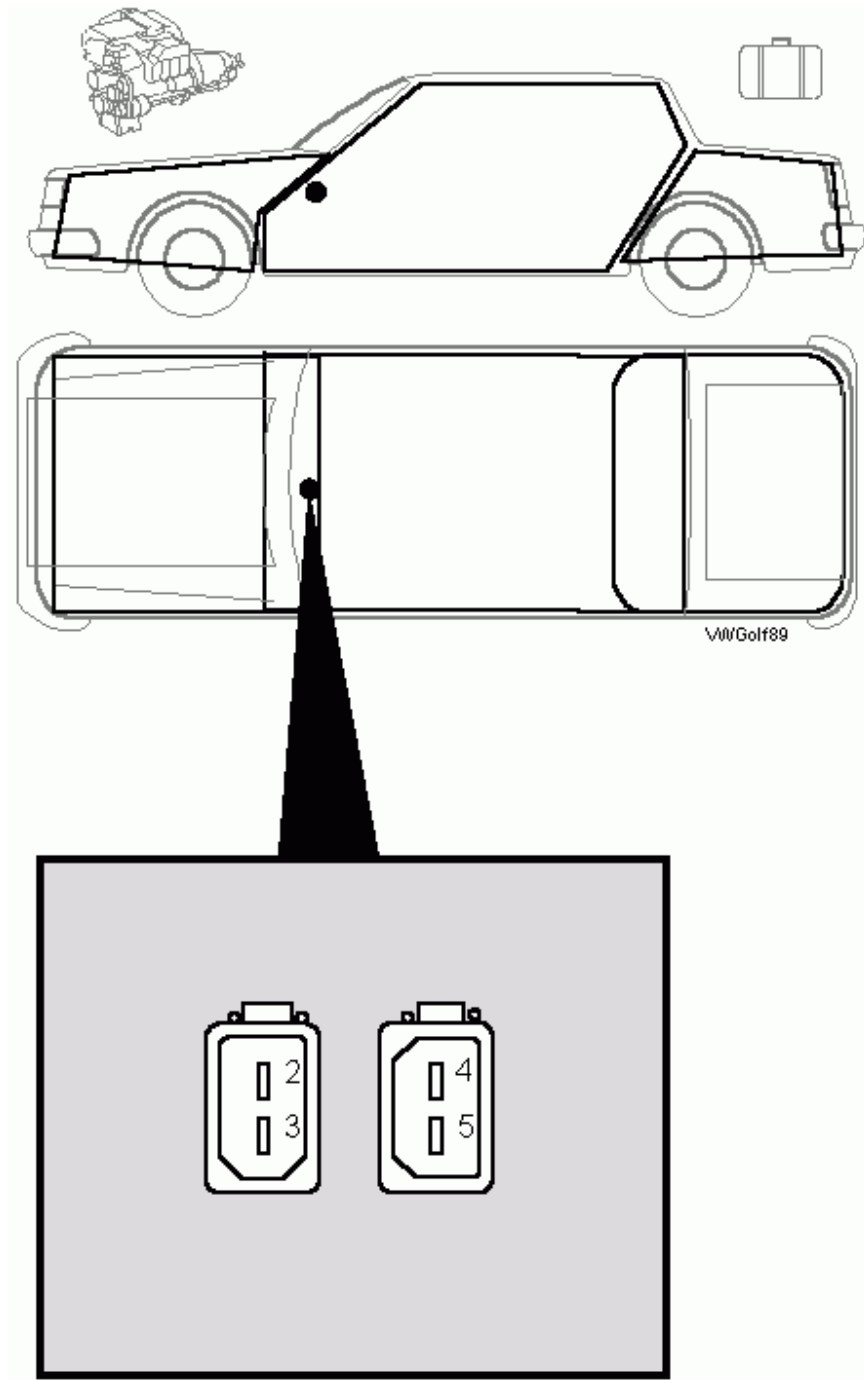


- 2 – GND**
- 3 – 12V**
- 4 – L-line**
- 5 – K-line**

VW CORRADO 93|>

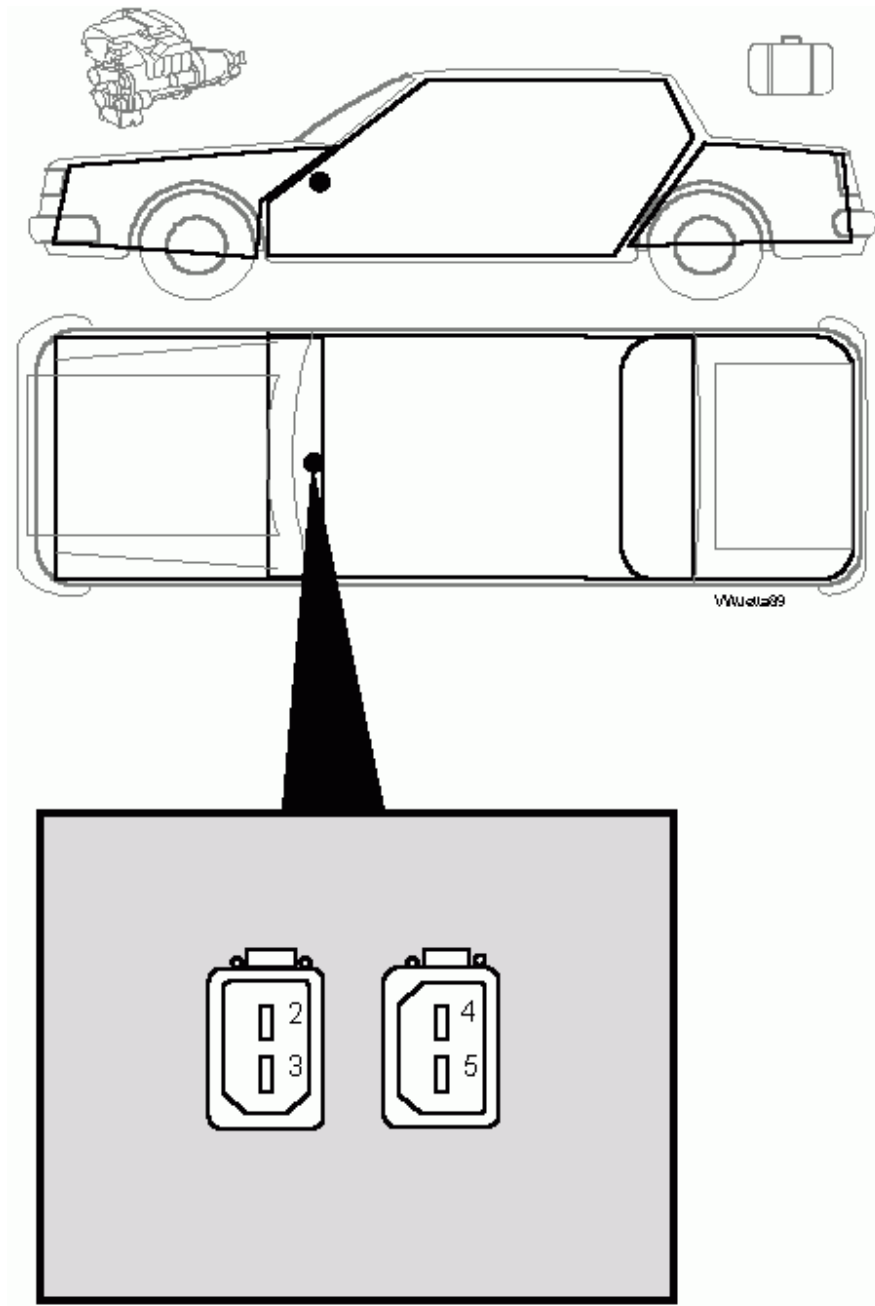


VW Golf >|92



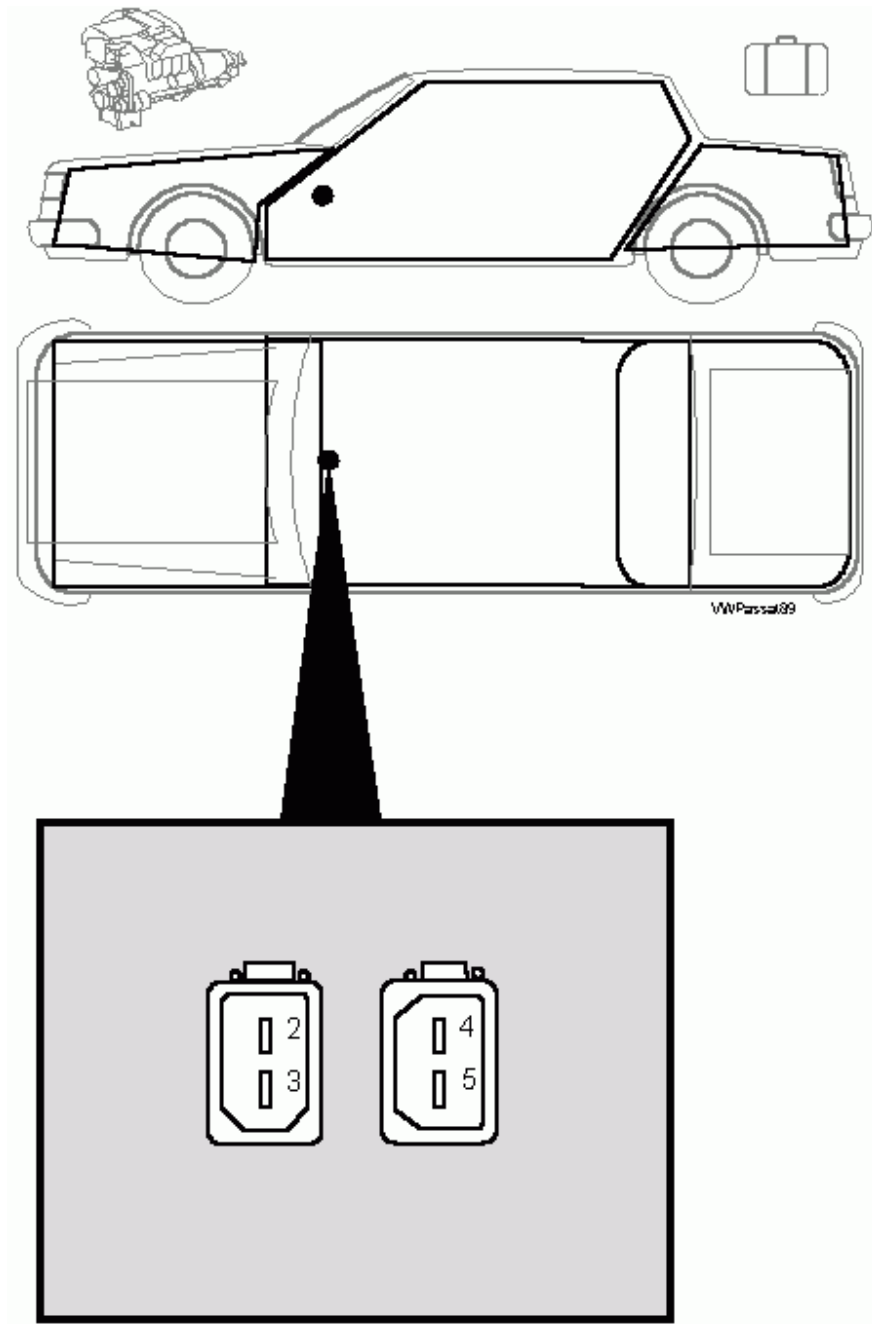
- 2 – GND**
- 3 – 12V**
- 4 – L-line**
- 5 – K-line**

VW Jetta >|92



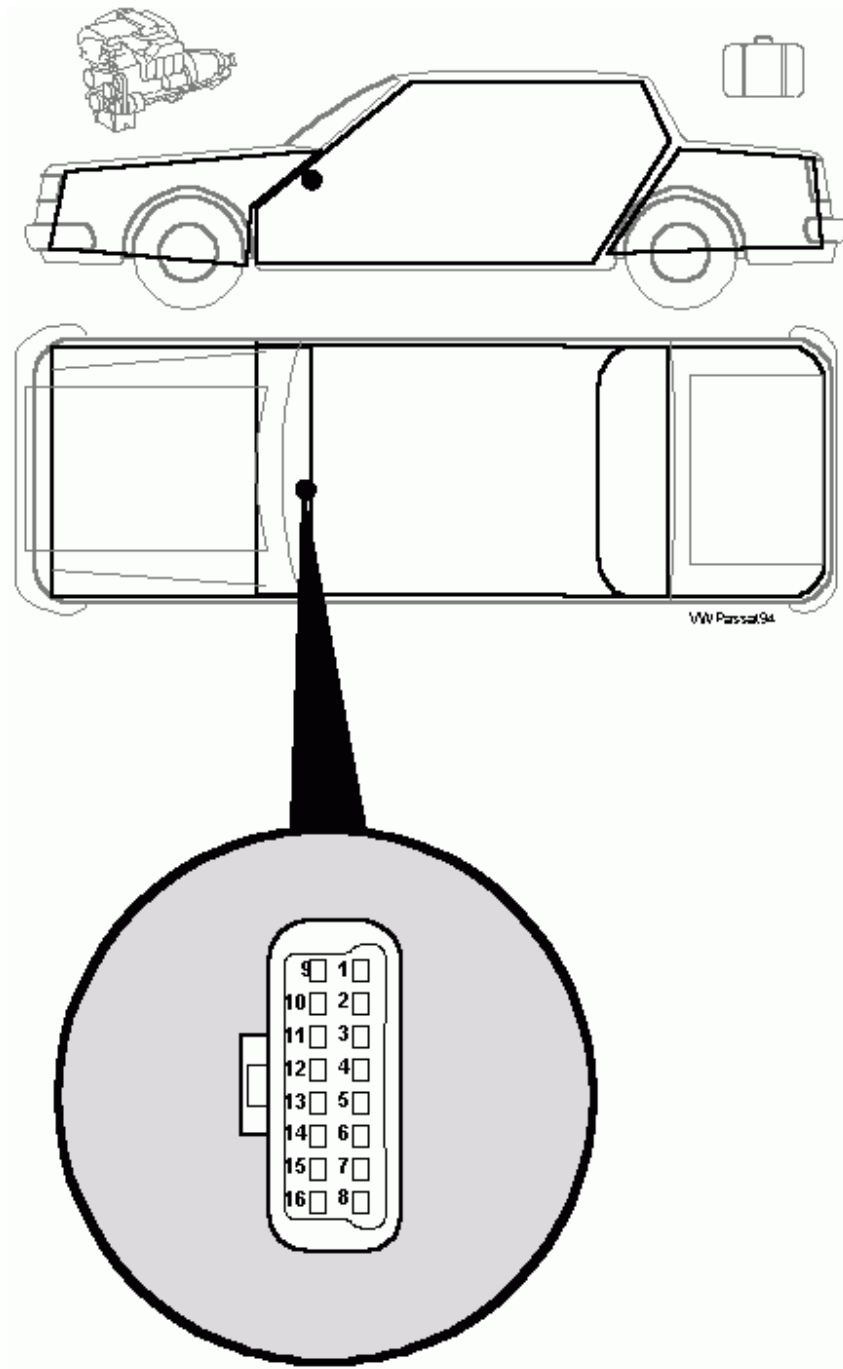
- 2 – GND**
- 3 – 12V**
- 4 – L-line**
- 5 – K-line**

VW Passat >|92

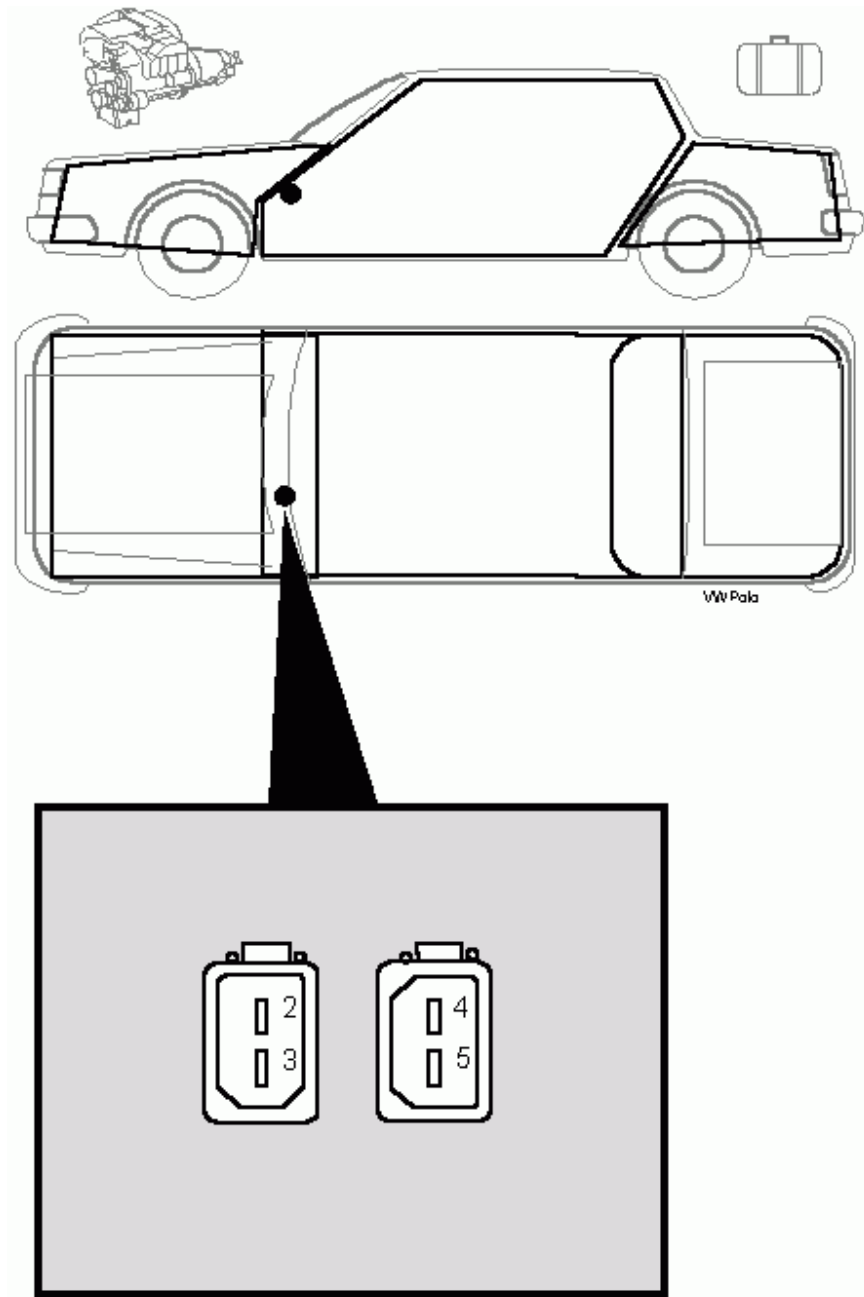


- 2 – GND**
- 3 – 12V**
- 4 – L-line**
- 5 – K-line**

VW Passat 96|>

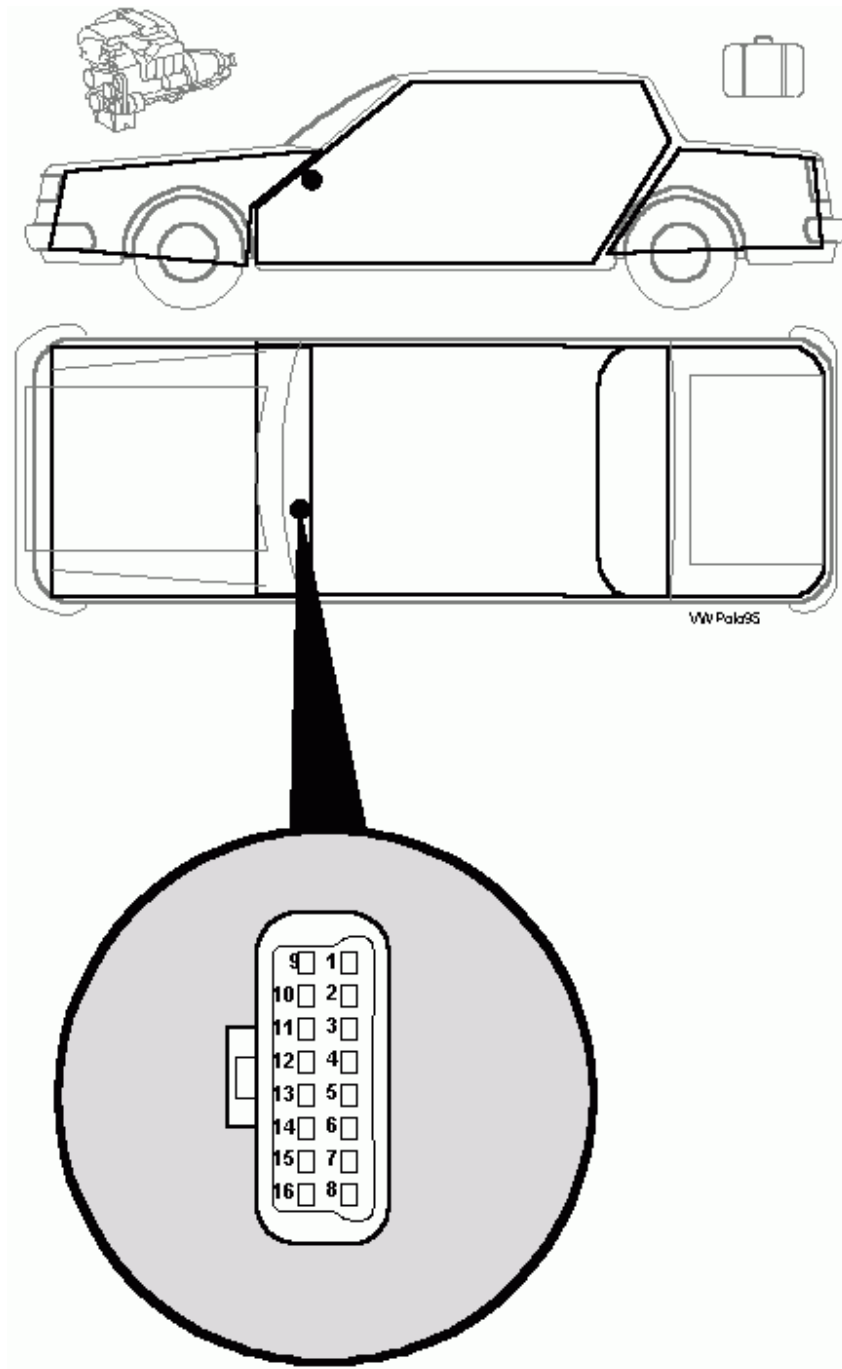


VW Polo 90|>

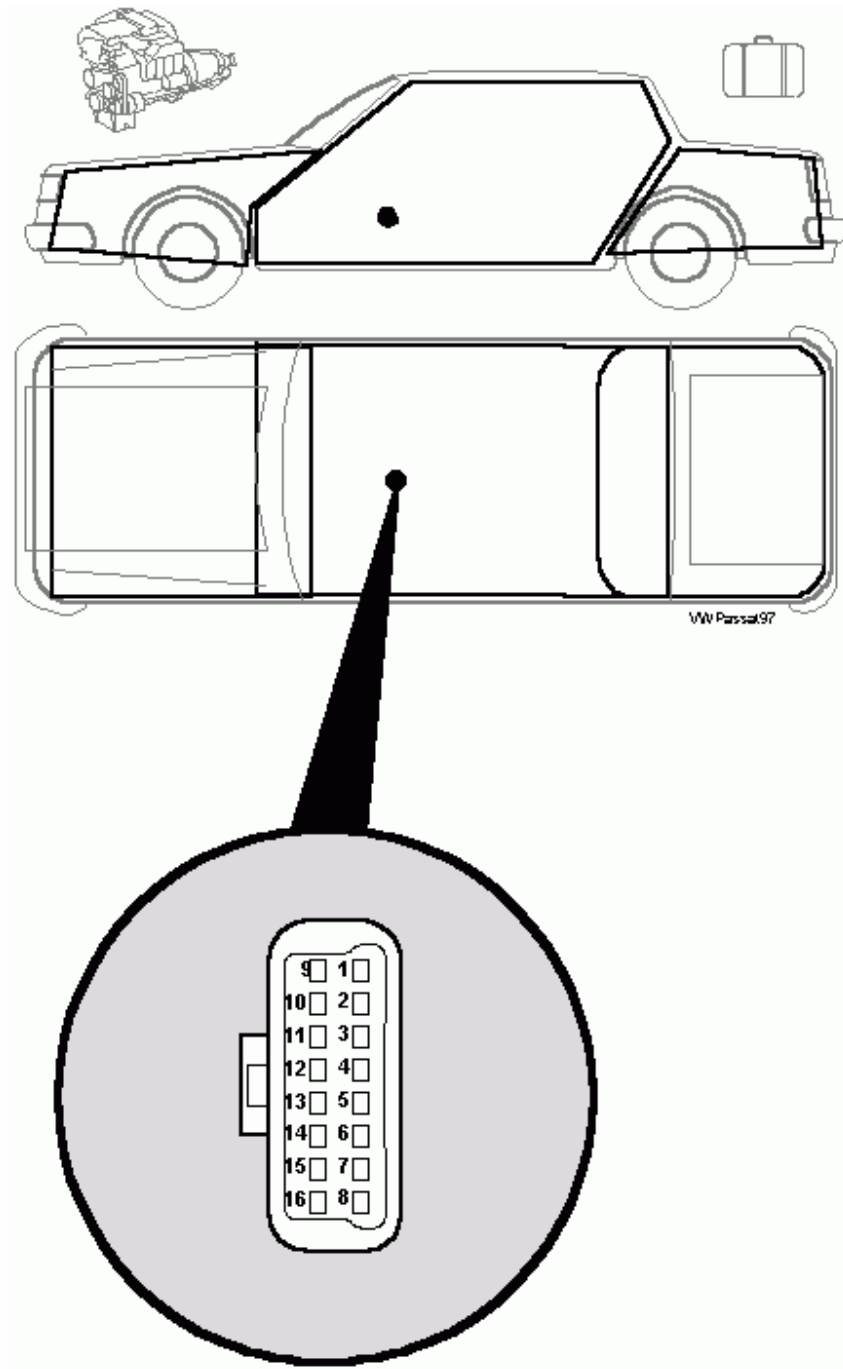


- 2 – GND**
- 3 – 12V**
- 4 – L-line**
- 5 – K-line**

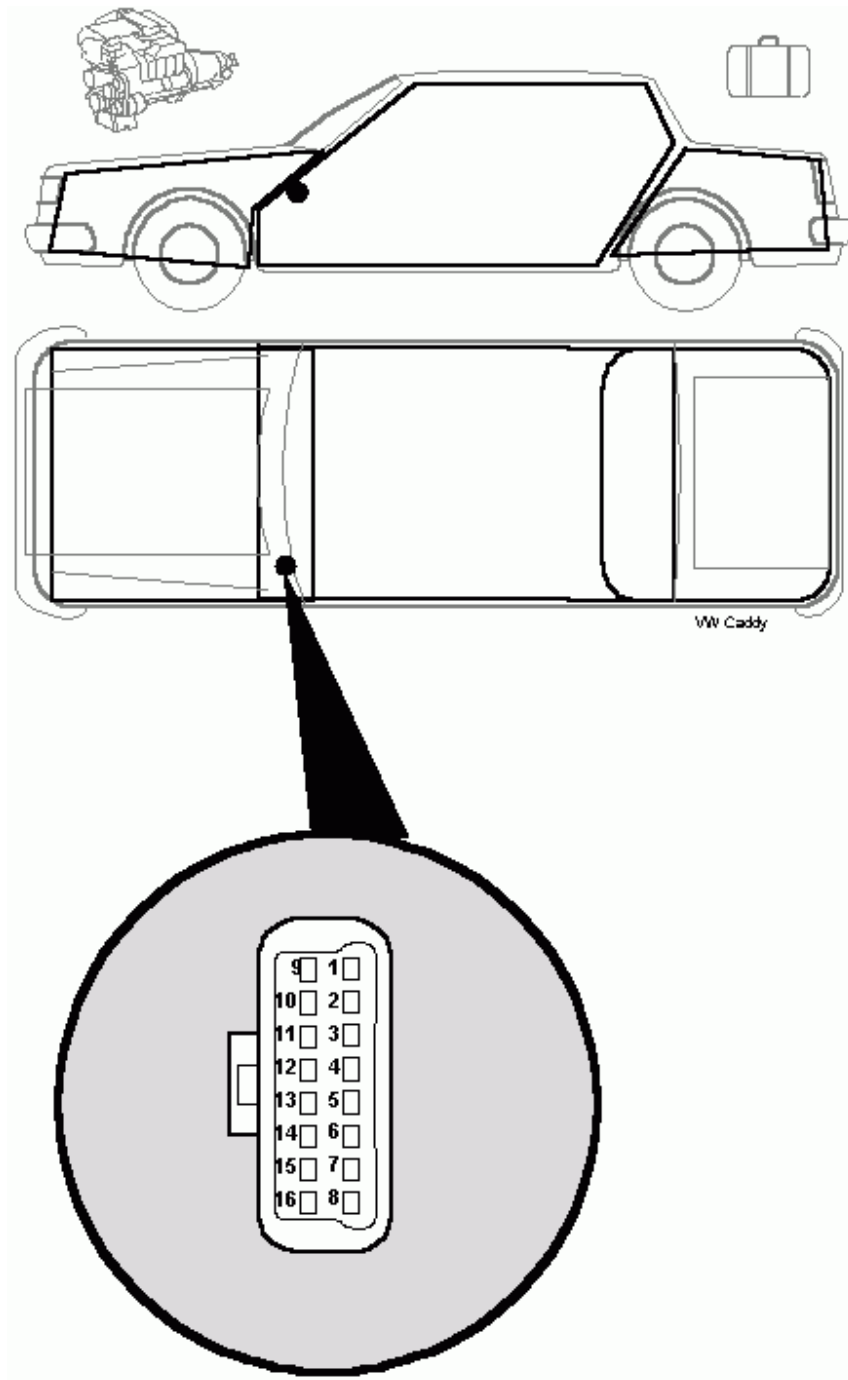
VW Vento / Golf 93|> / VW Polo 95|>



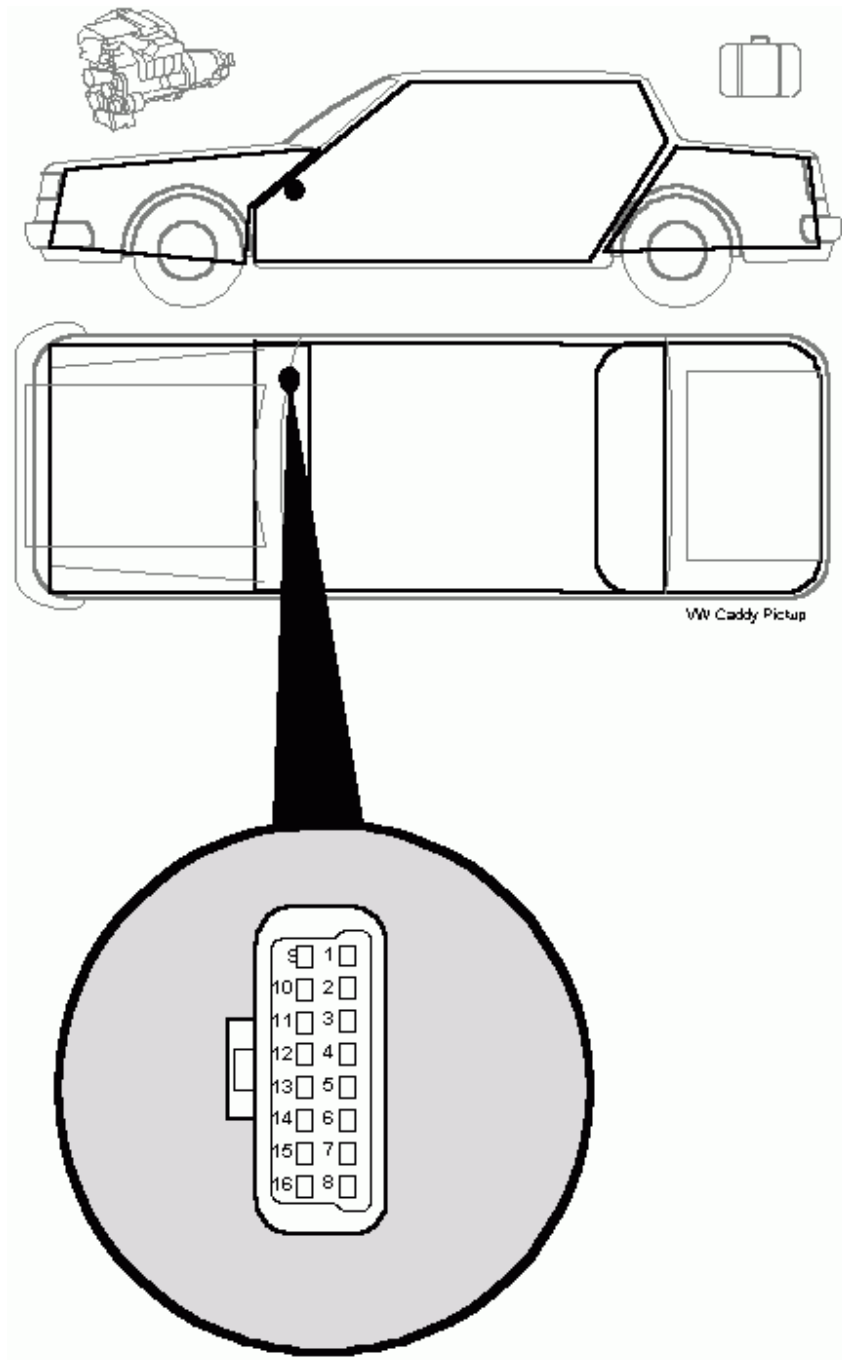
VW Passat 97|>



VW Caddy / Polo Classic



VW Caddy Pickup



VW Sharan

